

Stainless Steel Ball Valve

2 Piece • Full Port • Threaded Connection • 1000 WOG



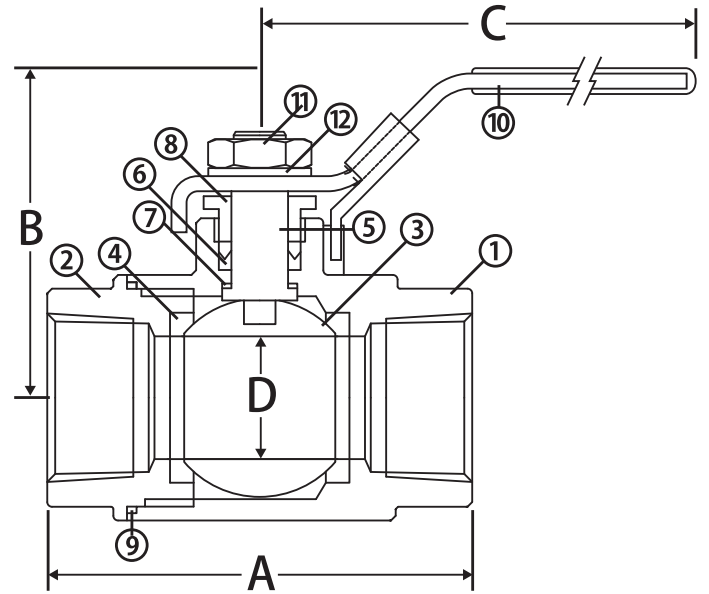
T-SS-1001N

Features

- Solid ball construction
- Latch lock handle may be locked in open or closed position
- 29 in-HG vacuum rating
- 100% leak tested

Approvals

- UL Listed 842 (49RO)
 - MHKZ - Manual valves
 - YQNZ - Compressed gas shut-off valves
 - YRBX - Flammable liquid shut-off valves
 - YRPV - Gas shut-off valves
 - YSDT - LP gas shut-off valves
- Conforms to API 598
- MSS SP-110, SP-61, SP-82
- ANSI B16.34
- NACE Certified

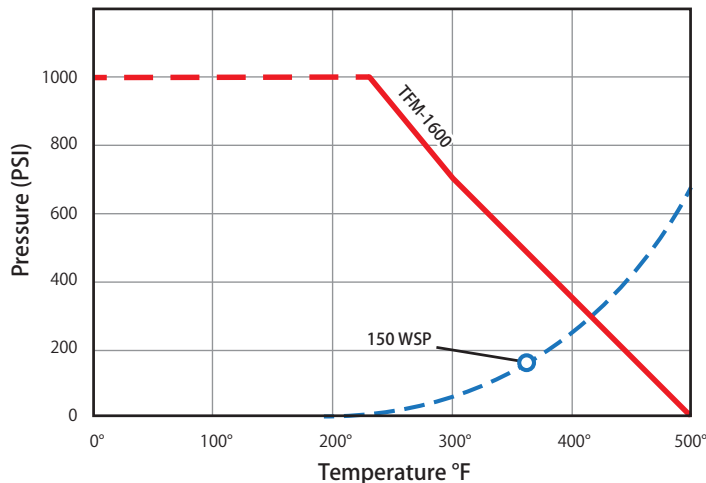


Material Specifications

No.	Part	Materials
1	Body	CF8M Stainless Steel
2	End Connection	CF8M Stainless Steel
3	Ball	CF8M Stainless Steel
4	Seat (2)	Hostaflo [®] TFM 1600
5	Stem	316 Stainless Steel
6	Packing (2)	RPTFE
7	Stem Seal	Hostaflo [®] TFM 1600
8	Packing Gland	316 Stainless Steel
9	Body Seal	Hostaflo [®] TFM 1600
10	Handle	304 Stainless Steel
11	Handle Nut	304 Stainless Steel
12	Lock Washer	304 Stainless Steel

Valve Seat Rating

1000 WOG - 150 WSP



Dimensions

Part No.	Size	A	B	C	D
100-961	1/4"	2.20	2.20	4.21	0.43
100-962	3/8"	2.20	2.20	4.21	0.43
100-963	1/2"	2.60	2.30	4.21	0.56
100-964	3/4"	2.99	2.79	5.73	0.81
100-965	1"	3.54	2.96	5.73	1.00
100-966	1-1/4"	3.94	3.56	7.45	1.25
100-967	1-1/2"	4.41	3.84	7.45	1.50
100-968	2"	5.00	4.24	8.08	1.97